



# MidFlow Regulators

**R37**

## SPECIFICATIONS

- Body**
  - Black coated aluminum
- Bonnet**
  - Glass filled nylon
- Seals**
  - Buna N Elastomer standard
- Seat**
  - Brass

## KITS

### Repair Kits

- Diaphragm kit relieving . . . . . DK35
- Diaphragm kit Non-relieving . . . . . DK35N
- Valve kit . . . . . VK37

### Mounting Kits see page 65

- Bracket kit . . . . . RBK7
- Panel mounting kit ring only panel hole size 1<sup>3</sup>/<sub>16</sub>" . . . . . PKR35
- Panel mount bracket and ring . . . . . PMKR35

## FEATURES

- Micro finished brass seat to ensure no reduced pressure creep
- Reinforce diaphragm for repeated accuracy
- Minimal pressure droop due to efficient aspiration
- Three position non-rising adjustment knob; push to lock, pull to adjust, detach to make tamper resistant
- Relieving style standard
- Easily panel mounted
- Tamper-proof cap included
- High scfm flow due to efficient aspiration

## OPTIONS

add suffix to part number in alpha order

- G** Gauge (0-160 psi) . . . . . R373G
- H** High pressure . . . . . R373HT  
10 to 250 psi adjustment - *Must use T-handle option*
- I** Instrument pressure . . . . . R373I  
3 to 20 psi adjustment
- L** Low pressure . . . . . R373L  
3 to 60 psi adjustment
- N** Non-relieving . . . . . R373N
- P** Panel mount . . . . . R373P
- T** Tee handle adjustment . . . . . R373T

## Supply Pressure

- 250 psig

## Operating Pressure Range

- 5 to 125 psig

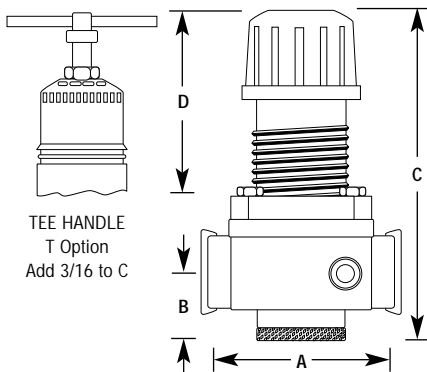
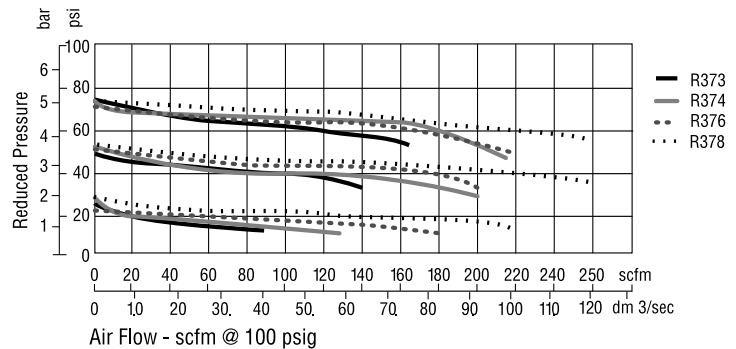
## Operating Temperature Range

- 40°F to 120°

## Gauge Port

- 1/4" full flow

## PERFORMANCE CHARACTERISTICS



## DIMENSIONS

PIPE SIZE	MODEL NO.	MAX. FLOW SCFM	DIMENSIONS (INCHES)					WEIGHT (LBS.)
			A	B	C	D	E (WIDTH)	
3/8"	R373	170	3 <sup>7</sup> / <sub>16</sub>	1 <sup>13</sup> / <sub>32</sub>	5 <sup>7</sup> / <sub>8</sub>	2 <sup>3</sup> / <sub>4</sub>	2 <sup>1</sup> / <sub>4</sub>	1.3
1/2"	R374	215	3 <sup>7</sup> / <sub>16</sub>	1 <sup>13</sup> / <sub>32</sub>	5 <sup>7</sup> / <sub>8</sub>	2 <sup>3</sup> / <sub>4</sub>	2 <sup>1</sup> / <sub>4</sub>	1.3
3/4"	R376	220	3 <sup>7</sup> / <sub>16</sub>	1 <sup>13</sup> / <sub>32</sub>	5 <sup>7</sup> / <sub>8</sub>	2 <sup>3</sup> / <sub>4</sub>	2 <sup>1</sup> / <sub>4</sub>	1.3
1"	R378	250	3 <sup>7</sup> / <sub>16</sub>	1 <sup>13</sup> / <sub>32</sub>	5 <sup>7</sup> / <sub>8</sub>	2 <sup>3</sup> / <sub>4</sub>	2 <sup>1</sup> / <sub>4</sub>	1.3