

MidFlow Coalescing Filters



SPECIFICATIONS

Metal Bowl

- Zinc, black coated
- Max. pressure 250 psig
- Operating temperature range 40°F to 200°F

Metal Bowl with Sight

- Zinc, black coated
- Max. pressure 250 psig
- Operating temperature range 40°F to 160°F

Internal Float Drain Note: limits bowl temperature and pressure ratings

- Operating pressure range 30 to 175 psig
- Operating temperature range 40°F to 120°F

Body Black coated aluminum

Baffle plastic

Seals Buna N

Elements

- .03 micron borosilicate glass fiber
D.O.P. Efficiency: 99.97%, Particle size removal, Remaining oil content by wt.: .015 PPM

- .01 micron borosilicate glass fiber, D.O.P. Efficiency: 99.999%, Particle size removal, Remaining oil content by wt.: .0005 PPM

KITS

- Internal float drain kit 5200
- Overnight Metal (K) CKFK

Bowl Kits

- 10 oz. with sight BKF47W
- 10 oz. without sight. BKF47M
- 20 oz. with sight BKF48W
- 20 oz. without sight BKF48M

Element Kits

- .03 micron EK57
Clear net no color EK58
- .01 micron EK57A
Red net or dot EK58A

Repair Kits

- Repair kit RKF47, RKF48
- Replacement sight kit WK37
- Indicator Pop-up kit DPK-05

Mounting Kit see page 65

- Mounting kit FBK7

FEATURES

- .03 micron fiber element
- Pop-up indicator indicates abnormal condition such as plugged element or excessive flow. Critical protection requires changing element at regular intervals.
- Low pressure drop
- 10 oz. or 20 oz. black coated metal bowl with liquid level sight
- Manual drain

OPTIONS

add suffix to part number in alpha order

A .01 micron element F573AW

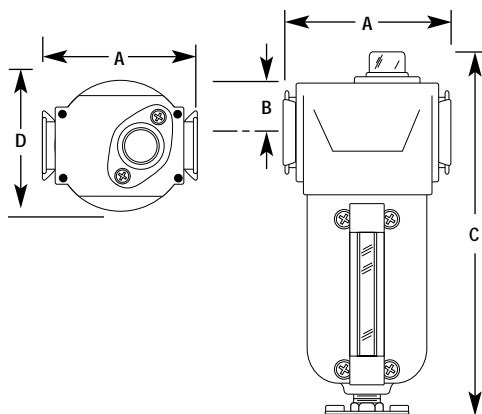
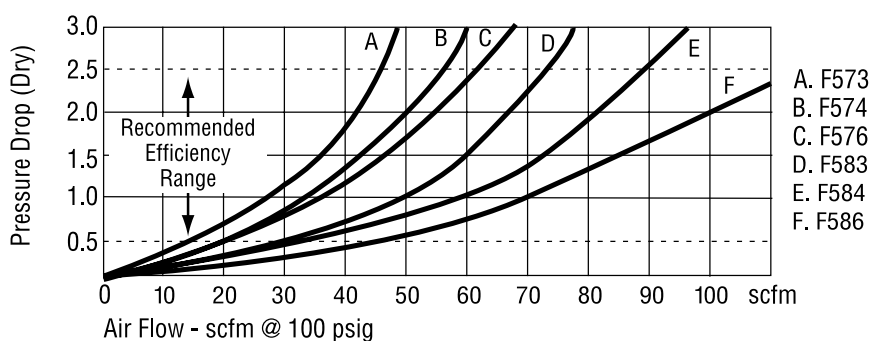
Float Drain

F Internal float drain F573FW

K Overnight drain F573KW

M Black coated metal bowl F573M

PERFORMANCE CHARACTERISTICS



DIMENSIONS

PIPE SIZE	MODEL NO.	MAX. FLOW SCFM*	BOWL CAPACITY	DIMENSIONS (INCHES)				WEIGHT (LBS.)
				A	B	C	D	
3/8"	F573W	48	10	3 3/4	1 1/8	8 1/4	3	2.7
3/8"	F583W	72	20	3 3/4	1 1/8	11 1/2	3	3.6
1/2"	F574W	55	10	3 3/4	1 1/8	8 1/4	3	2.7
1/2"	F584W	90	20	3 3/4	1 1/8	11 1/2	3	3.6
3/4"	F576W	60	10	3 3/4	1 1/8	8 1/4	3	2.7
3/4"	F586W	110	20	3 3/4	1 1/8	11 1/2	3	3.6

* Flow scfm based on 2.5 psi Δ p @ 100 psig inlet.