

## Tri-Star Coalescing Filters



### SPECIFICATIONS

**Body** Black coated aluminum

**Baffle** plastic

**Seals** Buna N

#### Metal Bowl

- Zinc, black coated
- Max. pressure 250 psig
- Operating temperature range 40°F to 200°F

#### Metal Bowl with Sight nickel plated zinc

- Zinc, black coated
- Max. pressure 250 psig
- Operating temperature range 40°F to 160°F

#### Internal Float Drain

plastic, metal, brass, Buna N seal  
 Note: limits bowl temperature and pressure rating

- Operating pressure range 30 to 175 psig
- Operating temperature range 40°F to 120°F

#### Elements

- .03 micron borosilicate glass fiber  
 D.O.P. Efficiency: 99.97%, Particle size removal, Remaining oil content by wt.: .015 PPM

- .01 micron borosilicate glass fiber  
 D.O.P. Efficiency: 99.999%, Particle size removal, Remaining oil content by wt.: .0005 PPM

### KITS

- Internal float drain kit . . . . . 5200

#### Bowl Kits

- Metal without sight . . . . . BKF45M
- Metal with sight . . . . . BKF45W

#### Element Kits

- .03 micron 2-pack. . . . . EK55  
 Clear net no color
- .01 micron 2-pack. . . . . EK55A  
 Red net or dot

#### Repair Kits

- Repair kit . . . . . RKF45
- Replacement sight kit . . . . . WK35
- Indicator Pop-up kit . . . . . DPK-05

#### Mounting Kit see page 65

- Mounting kit . . . . . FBK3

### FEATURES

- .03 micron fiber element
- Pop-up indicator indicates abnormal condition such as plugged element or excessive flow. Critical protection requires changing element at regular intervals.
- Low pressure drop
- 6 oz. black coated metal bowl with liquid level sight
- Black coated aluminum housing
- Manual drain
- In line or modular installation

### OPTIONS

add suffix to part number in alpha order

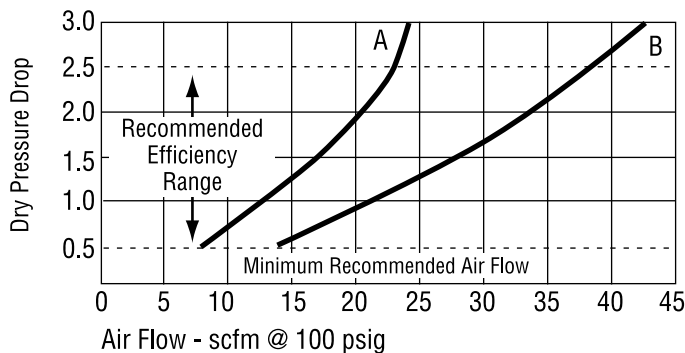
A .01 micron element . . . . . F552AW

#### Float Drain

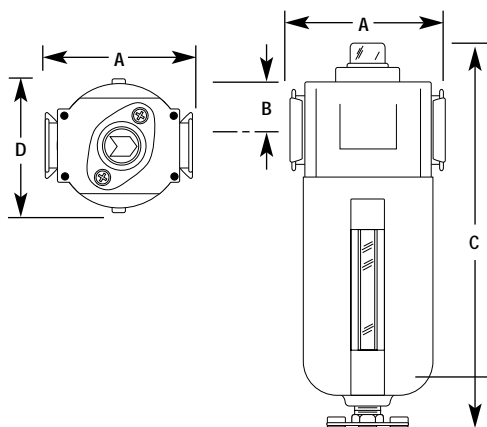
F Internal float drain . . . . . F552FW

For Metal Bowl without sight delete W

### PERFORMANCE CHARACTERISTICS



A. F552  
 B. F553  
 F554



### DIMENSIONS

PIPE SIZE	MODEL NO.	MAX. FLOW SCFM*	BOWL CAPACITY	DIMENSIONS (INCHES)				WEIGHT (LBS.)
				A	B	C	D	
1/4"	F552W	24	6 oz.	2 <sup>3</sup> / <sub>4</sub>	3/4	7 <sup>5</sup> / <sub>8</sub>	2 <sup>1</sup> / <sub>2</sub>	1.7
3/8"	F553W	37	6 oz.	2 <sup>3</sup> / <sub>4</sub>	3/4	7 <sup>5</sup> / <sub>8</sub>	2 <sup>1</sup> / <sub>2</sub>	1.7
1/2"	F554W	37	6 oz.	2 <sup>3</sup> / <sub>4</sub>	3/4	7 <sup>5</sup> / <sub>8</sub>	2 <sup>1</sup> / <sub>2</sub>	1.7

\* Flow scfm based on 2.5 psi Δ p @ 100 psig inlet.