

Tri•Star Oil Removing Filters



SPECIFICATIONS

Metal Bowl

- Zinc, black coated
- Max. supply pressure 250 psig
- Operating temperature range 40°F to 200°F

Metal Bowl with Sight

- Zinc, black coated
- Max. supply pressure 250 psig
- Operating temperature range 40°F to 160°F

Internal Float Drain Note: limits bowl temperature and pressure rating.

- Operating pressure range 30 to 175 psig
- Operating temperature range 40°F to 120°F

Element

- .9 micron borosilicate glass fiber
D.O.P. Efficiency: 95%, Particle size removal, Remaining oil content by wt.: 2.5 PPM

Body black coated aluminum

Baffle plastic

Seals Buna N

KITS

- Internal float drain. 5200

Bowl Kits

- Metal bowl without sight BKF45M
- Metal bowl with sight BKF45W

Element Kit

- .9 micron 2-pack. EK45
Orange netting or dot

Repair Kits

- Repair kit RKF45
- Replacement sight kit WK45
- Indicator pop-up kit DPK-05

Mounting Kit see page 65

- Mounting kit FBK5

FEATURES

- .9 micron element
- Low pressure drop
- Long element life
- Pop-up indicator indicates abnormal condition such as plugged element or excessive flow. Critical protection requires changing element at regular intervals.
- 6 oz. black coated metal bowl with liquid level sight
- Manual drain
- In-line or modular installation

OPTIONS

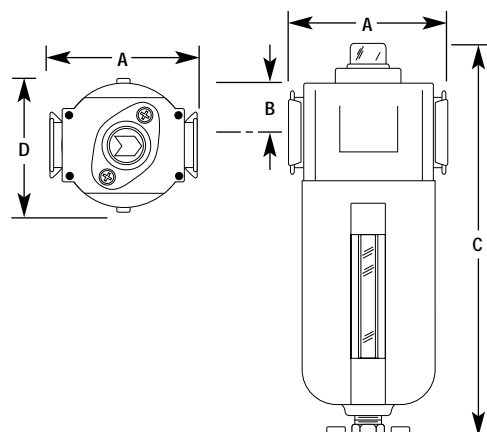
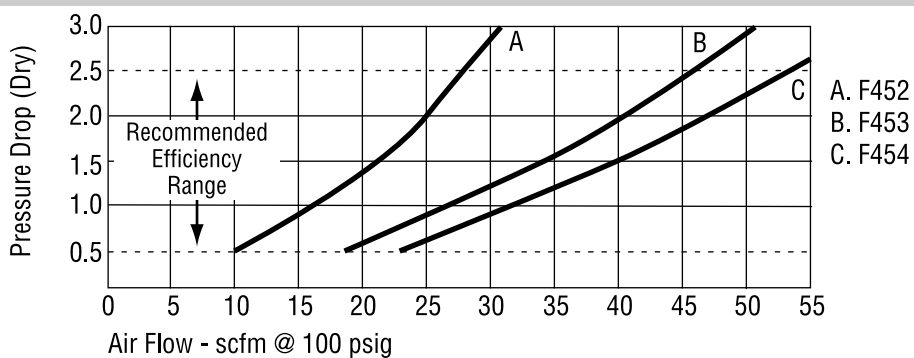
add suffix to part number in alpha order

Float Drain

F Internal float drain F452FW

For Metal Bowl without sight delete W

PERFORMANCE CHARACTERISTICS



DIMENSIONS

PIPE SIZE	MODEL NO.	MAX. FLOW SCFM*	BOWL CAPACITY	DIMENSIONS (INCHES)				WEIGHT (LBS.)
				A	B	C	D	
1/4"	F452W	27	6 oz.	2 ³ / ₄	3/4	7 ⁵ / ₈	2 ¹ / ₂	1.7
3/8"	F453W	45	6 oz.	2 ³ / ₄	3/4	7 ⁵ / ₈	2 ¹ / ₂	1.7
1/2"	F454W	53	6 oz.	2 ³ / ₄	3/4	7 ⁵ / ₈	2 ¹ / ₂	1.7

* Flow scfm based on 2.5 psi Δ p @ 100 psig inlet.